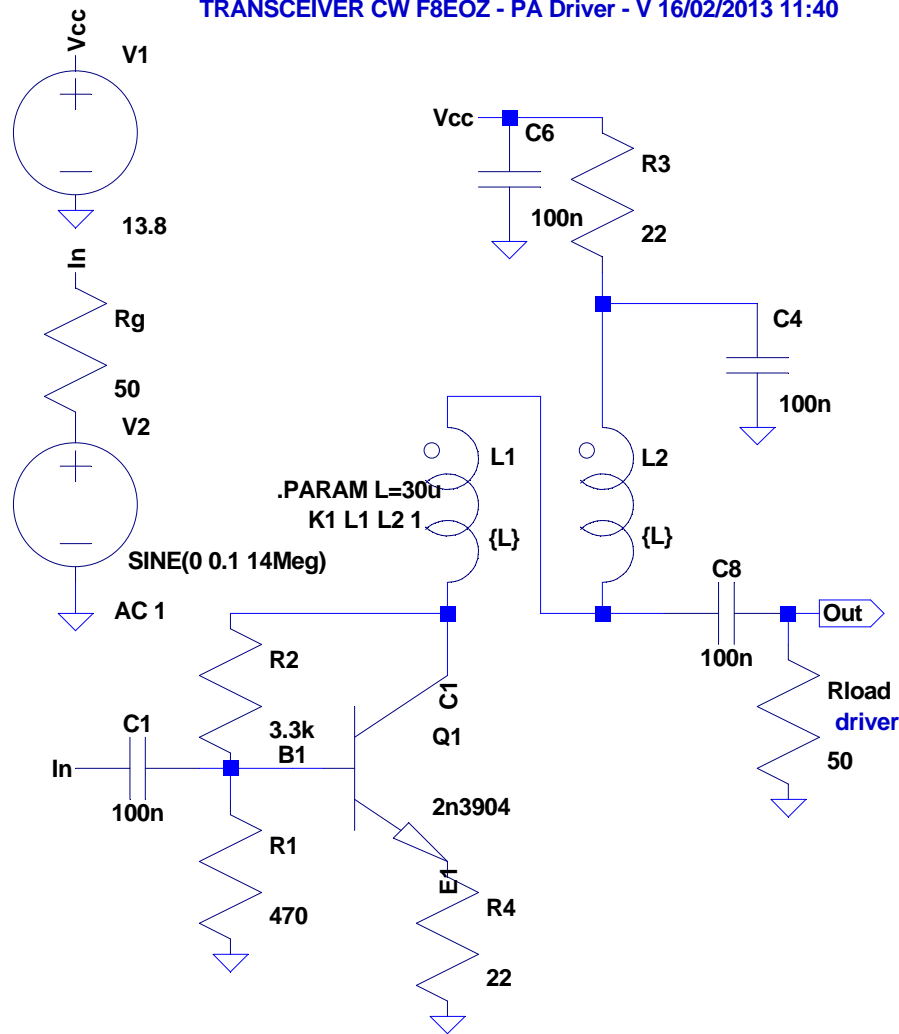


TRANSCIEVER CW F8EOZ - PA Driver - V 16/02/2013 11:40



--- Operating Point ---

|           |               |                |
|-----------|---------------|----------------|
| V(p001):  | 0             | voltage        |
| V(b1):    | 1.56176       | voltage        |
| V(in):    | 7.8088e-018   | voltage        |
| V(out):   | 6.45935e-017  | voltage        |
| V(n002):  | 12.9187       | voltage        |
| V(c1):    | 12.9187       | voltage        |
| V(n001):  | 12.9187       | voltage        |
| V(vcc):   | 13.8          | voltage        |
| V(e1):    | 0.808187      | voltage        |
| Ic(Q1):   | 0.0366172     | device_current |
| Ib(Q1):   | 0.000118607   | device_current |
| Ie(Q1):   | -0.0367358    | device_current |
| I(C6):    | 1.38e-018     | device_current |
| I(C4):    | 1.29187e-018  | device_current |
| I(C8):    | -1.29187e-018 | device_current |
| I(C1):    | 1.56176e-019  | device_current |
| I(L2):    | -0.0400587    | device_current |
| I(L1):    | -0.0400587    | device_current |
| I(Rload): | 1.29187e-018  | device_current |
| I(R4):    | 0.0367358     | device_current |
| I(R3):    | 0.0400587     | device_current |
| I(R2):    | 0.0034415     | device_current |
| I(R1):    | 0.00332289    | device_current |
| I(Rg):    | 1.56176e-019  | device_current |
| I(V1):    | -0.0400587    | device_current |
| I(V2):    | 1.56176e-019  | device_current |

```

;noise V(Out) V2 dec 10001 10 100Meg
.net I(RLoad) V2
.options plotwinsize=0
;tran 0 200us 0 1ns
;ac dec 100001 1Meg 100Meg
.op
    
```

Data compression OFF  
 Résolution de fréquence = 1/20us = 50KHz  
 Nombre d'exemples = 20us/0.1ns=200 000