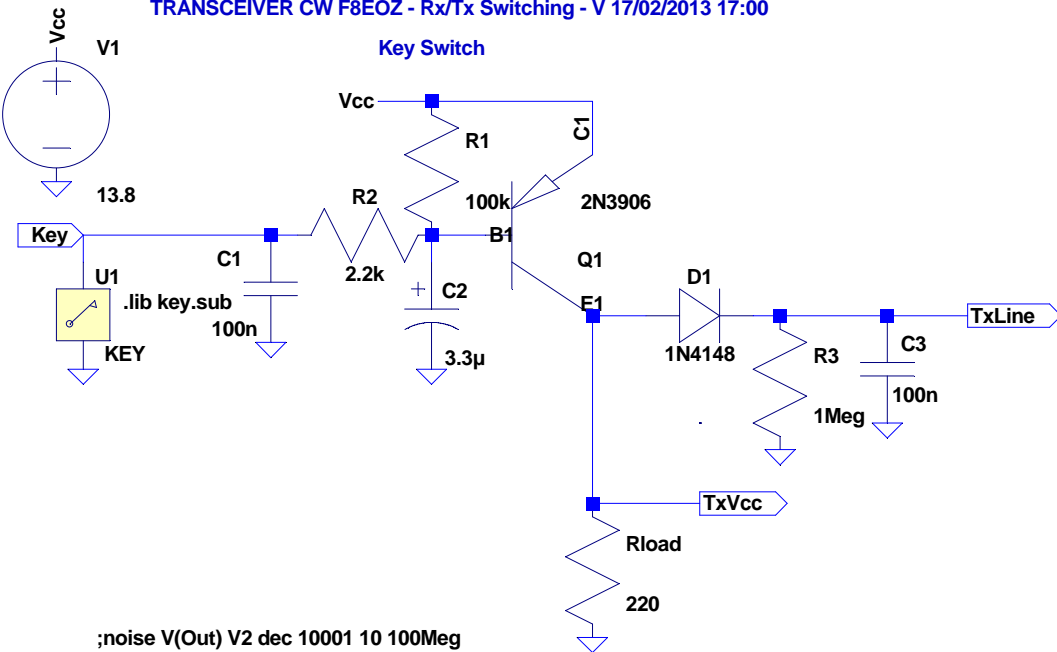


TRANSCEIVER CW F8EOZ - Rx/Tx Switching - V 17/02/2013 17:00



--- Operating Point ---

V(c1):	13.8	voltage
V(txvcc):	13.7459	voltage
V(txline):	13.3544	voltage
V(key):	0.000586371	voltage
V(b1):	12.9007	voltage
Ic(Q1):	-0.0624945	device_current
Ib(Q1):	-0.00585471	device_current
Ie(Q1):	0.0683492	device_current
I(C3):	1.33544e-018	device_current
I(C2):	4.25724e-017	device_current
I(C1):	-5.86371e-023	device_current
I(D1):	1.33544e-005	device_current
I(R3):	1.33544e-005	device_current
I(R2):	8.99258e-006	device_current
I(Rload):	0.0624812	device_current
I(R1):	-0.00586371	device_current
I(V1):	-0.0683582	device_current
Ix(u1:1):	0.00586371	subckt_current

```

;noise V(Out) V2 dec 10001 10 100Meg
.net I(RLoad) V2
.options plotwinsize=0
;tran 0 1 0 50u
;ac dec 100001 1Meg 100Meg
.op
    
```

Data compression OFF  
 Résolution de fréquence = 1/20us = 50KHz  
 Nombre d'exemples = 20us/0.1ns=200 000