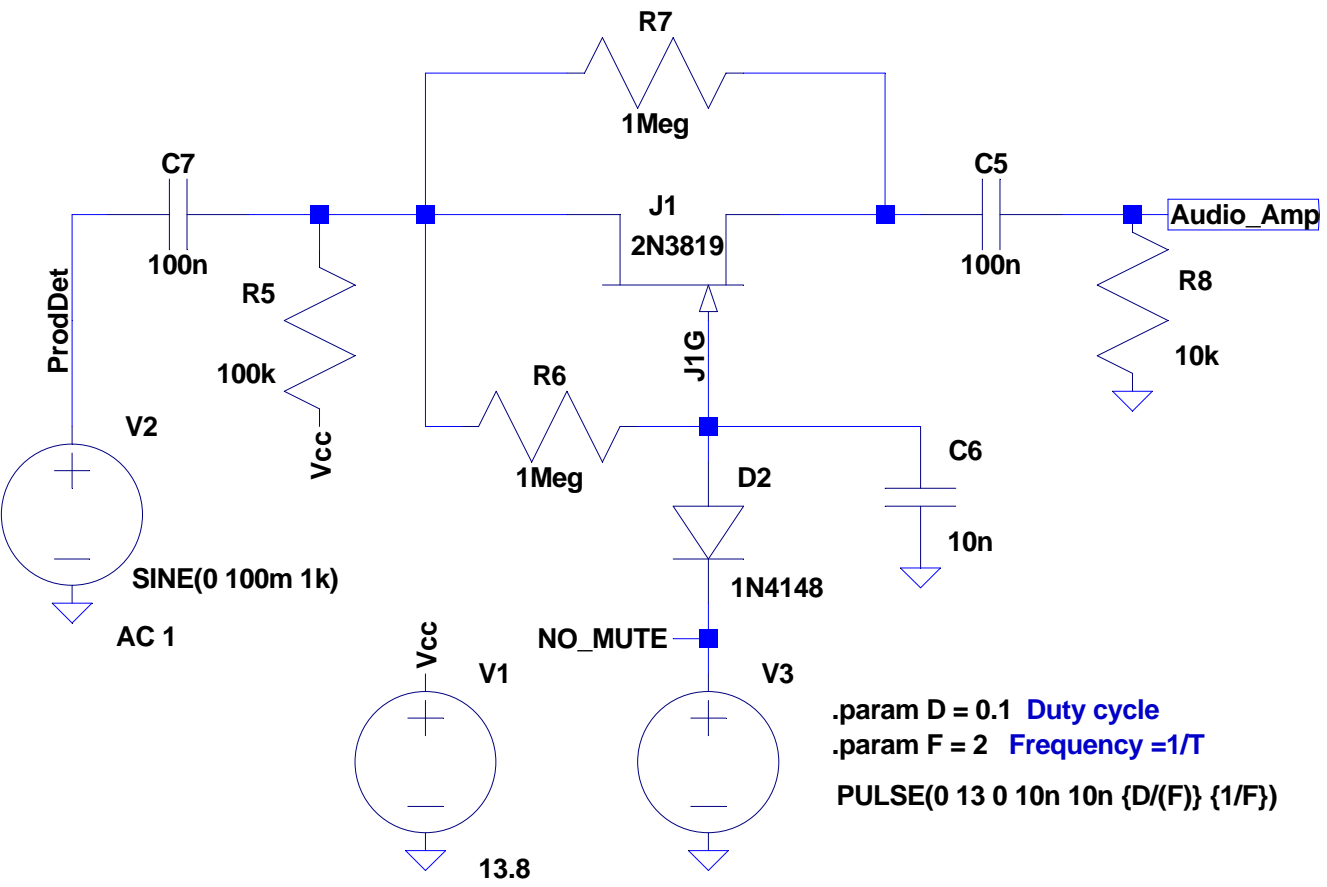


TRANSCEIVER CW F8EOZ - Rx/Tx Switching - V 17/02/2013 17:00

MUTE



```
.param D = 0.1 Duty cycle
.param F = 2 Frequency =1/T
PULSE(0 13 0 10n 10n {D/(F)} {1/F})
```

R6 and C6 delays the turn on time for J1 to prevent audio thumps
 At transmit time, the gate of J1 is pulled low, muting the audio, R7 allows some audio to leak past J1 for side tone.

```
;noise V(Out) V2 dec 10001 10 100Meg
.net I(RLoad) V2
.options plotwinsize=0
.tran 0 1s 0 0.5u
;ac dec 100001 1Meg 100Meg
;op
```

Data compression OFF
 Résolution de fréquence = 1/20us = 50KHz
 Nombre d'exemples = 20us/0.1ns=200 000